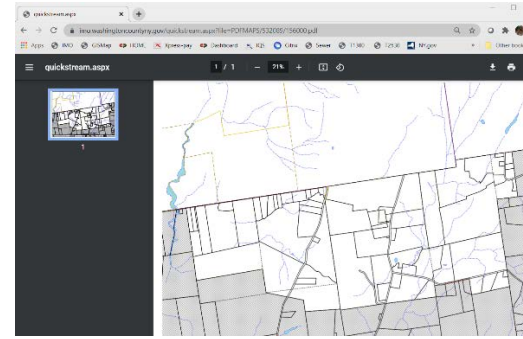
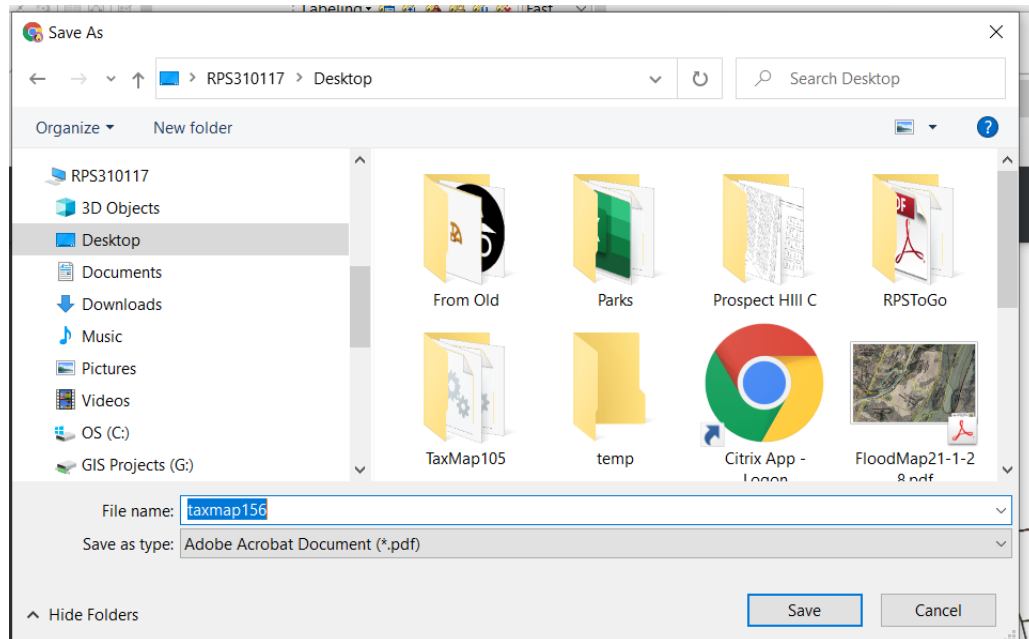


Printing a section of the tax map

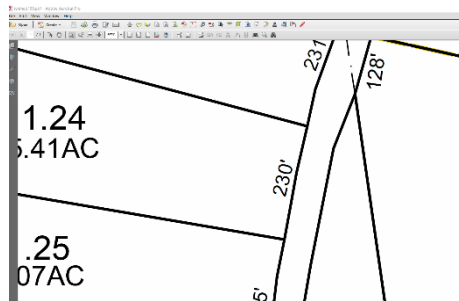
1. Open your tax map on
 - a. IMO.washingtoncountyny.gov
 - b. Once you open you're tax map and you have it on the screen
 - i. Hover your mouse over the tax map
 - ii. Right click
 - iii. Click Save as



1. Save the tax map some where you know where it is and you can name it anything
- 2.

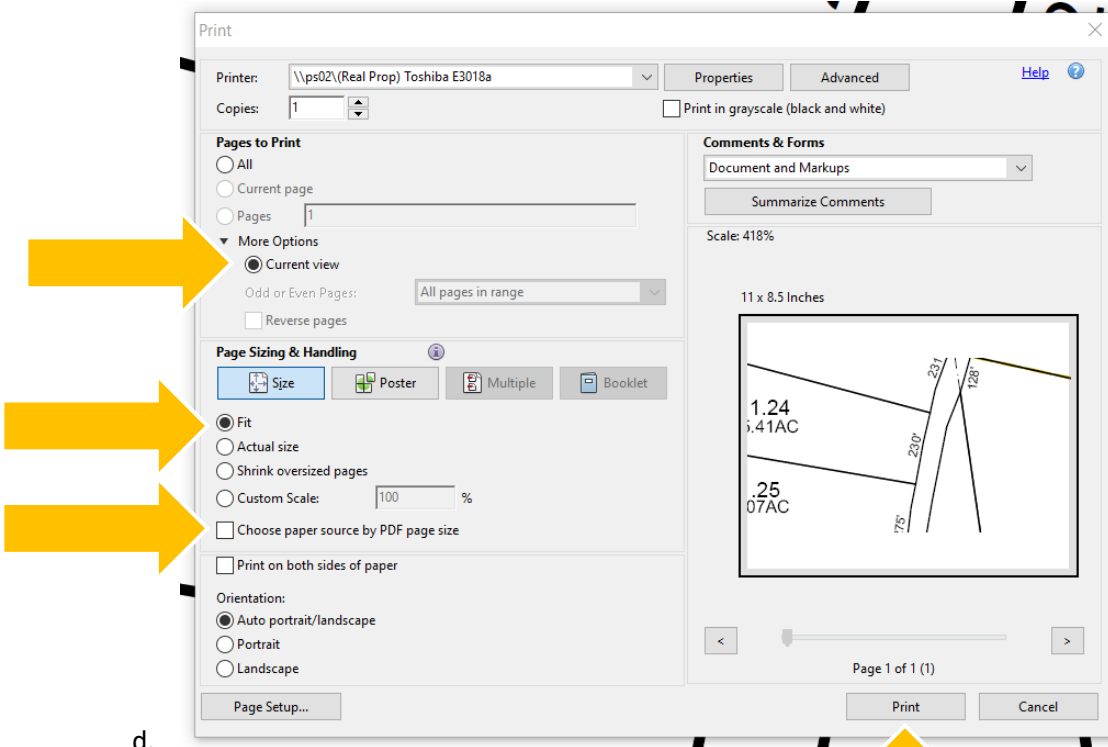


2. Go to Tax map where you save it and open it with Adobe
 - a. Zoom to the section of the tax map you would like to print
 - b.



Printing a section of the tax map

3. Go to File Print
 - a. Under Pages to Print select **Current View** (not current page)
 - b. Select **fit**
 - c. Un check choose paper source by PDF page size



- d.
- e. Click **Print**